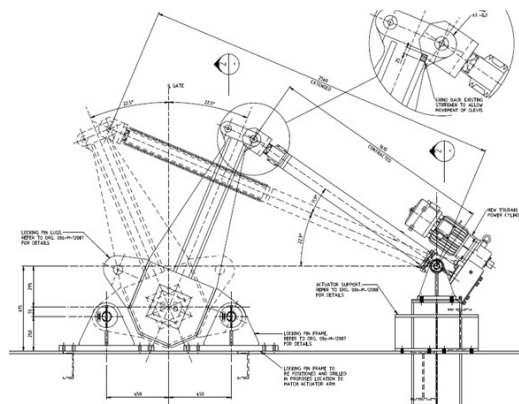


Structural design check for actuated gate and supporting beams for port ore handling

Works undertaken

- 1) Carry out site inspections for the gate and the supporting structures
- 2) Assess the structural conditions
- 3) Carry detail analysis of the gate, including shaft, gate plates, gate stiffeners, pivots, bearings, etc.
- 4) Simulate the gate action during the process of rotating
- 5) Design the gate for its intended functions
- 6) Provide detail sketches for both the gate and the supporting structures



Side elevation

